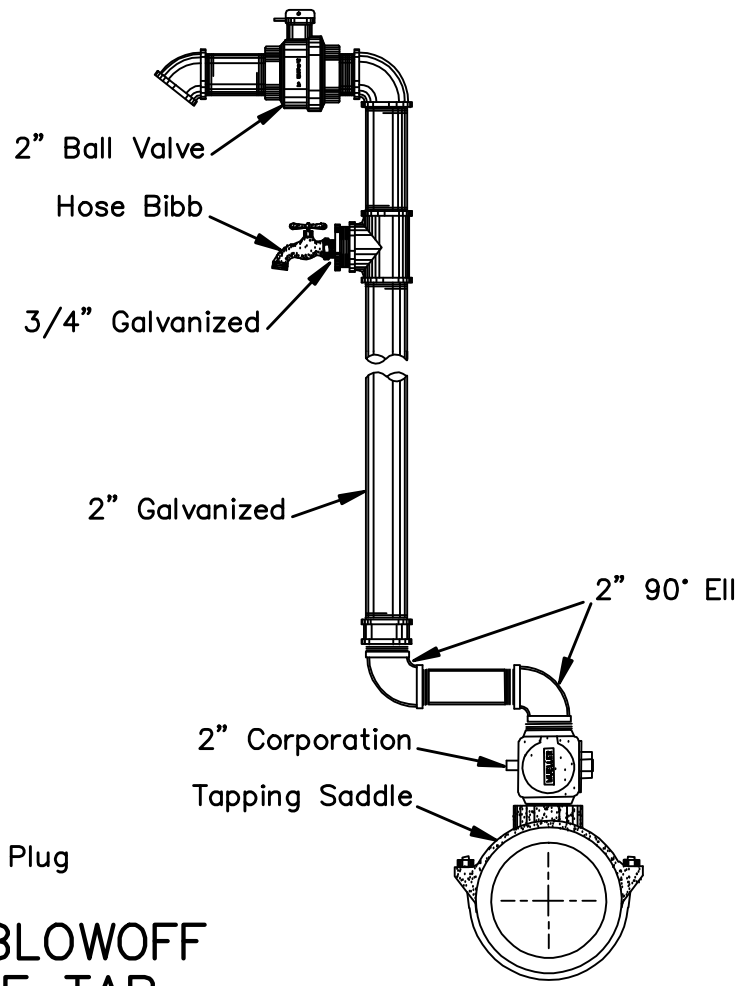


END CONNECTION



TOP CONNECTION

## TEMPORARY BLOWOFF AND SAMPLE TAP

CITY INDEX NO. 408; 2 OF 2  
N.T.S.

				CITY OF CLEARWATER, FLORIDA ENGINEERING DEPARTMENT		
				REDRAWN BY B.V.D.	TEMPORARY BLOWOFF	DATE 02/09
				CHECKED BY G.L.B.	AND	INDEX NO. 408
				DESIGNED BY G.C.H.	SAMPLE TAP	2 OF 2
REV.	DATE	DESCRIPTION	APP.			