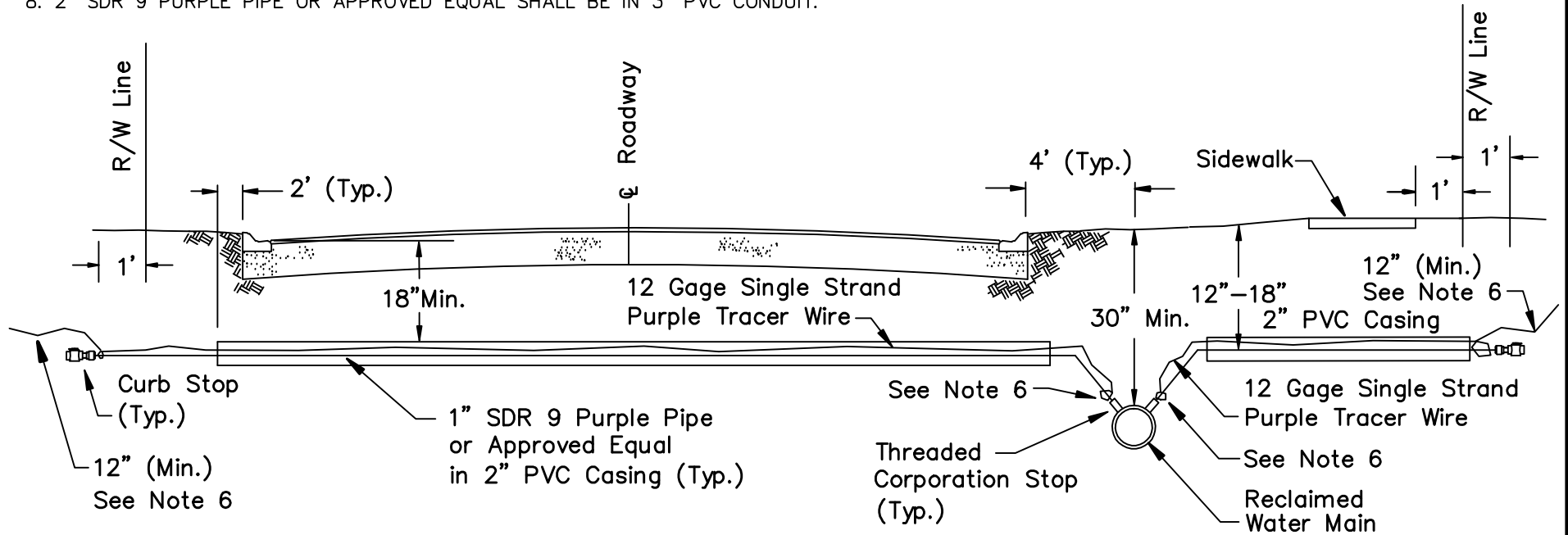


NOTES:

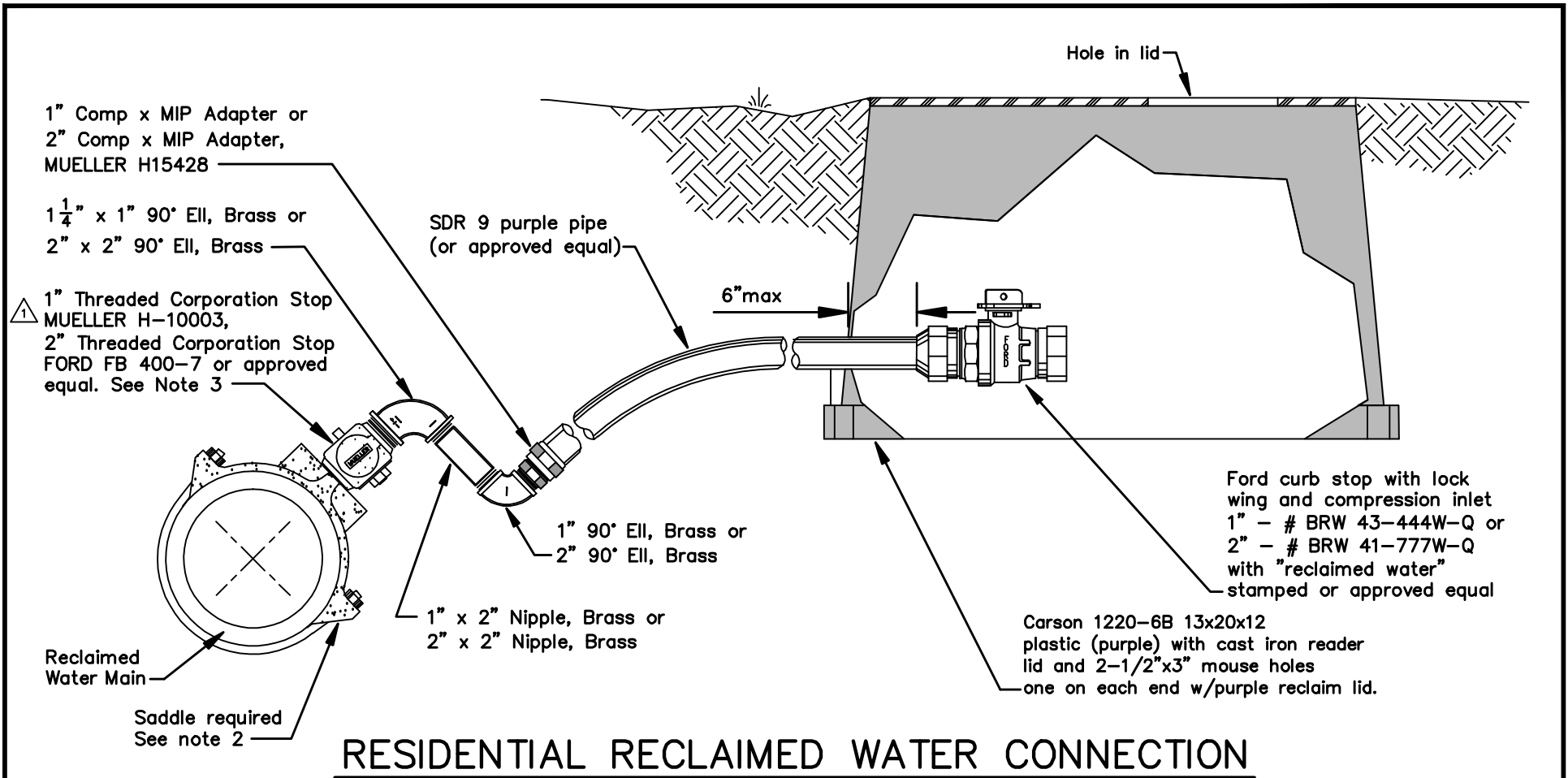
1. 2" PVC CASING SHALL EXTEND TO CUSTOMER SIDE OF SIDEWALK.
2. PVC CONDUIT TO BE MIN. 18" BELOW THE SURFACE MEASURED FROM TOP OF FACE OF CURB.
3. RECLAIMED WATER MAINS TO BE MIN. 30" BELOW GRADE and APPROX. 4' BACK OF CURB
4. CURB STOP TO BE LOCATED APPROX. 1 FOOT BACK OF RIGHT-OF-WAY.
5. SERVICE LINE TO BE MIN. 12" and MAX. 18" BELOW GRADE.
6. CONNNECT 12 GAGE TRACER WIRE WITH TIE WRAPS AT CORPORATION STOP AND AT CURB STOP. PROVIDE 1-FOOT MINIMUM EXCESS LENGTH OF TRACER WIRE IN METER BOX.
7. 12 GAGE SINGLE STRAND TRACER WIRE SHOULD ACCOMPANY ALL LONG SIDE SERVICE LINE INSTALLATIONS.
8. 2" SDR 9 PURPLE PIPE OR APPROVED EQUAL SHALL BE IN 3" PVC CONDUIT.



## RECLAIMED WATER MAIN SERVICE LINES TYPICAL SECTION

CITY INDEX NO. 501; 1 OF 2  
N.T.S.

				CITY OF CLEARWATER, FLORIDA ENGINEERING DEPARTMENT		
				REDRAWN BY M.P.	RECLAIMED WATER MAIN	DATE 02/09
				CHECKED BY G.L.B.	SERVICE LINES	INDEX NO. 501
				DESIGNED BY R.M.	TYPICAL SECTION	1 OF 2
REV.	DATE	DESCRIPTION	APP.			

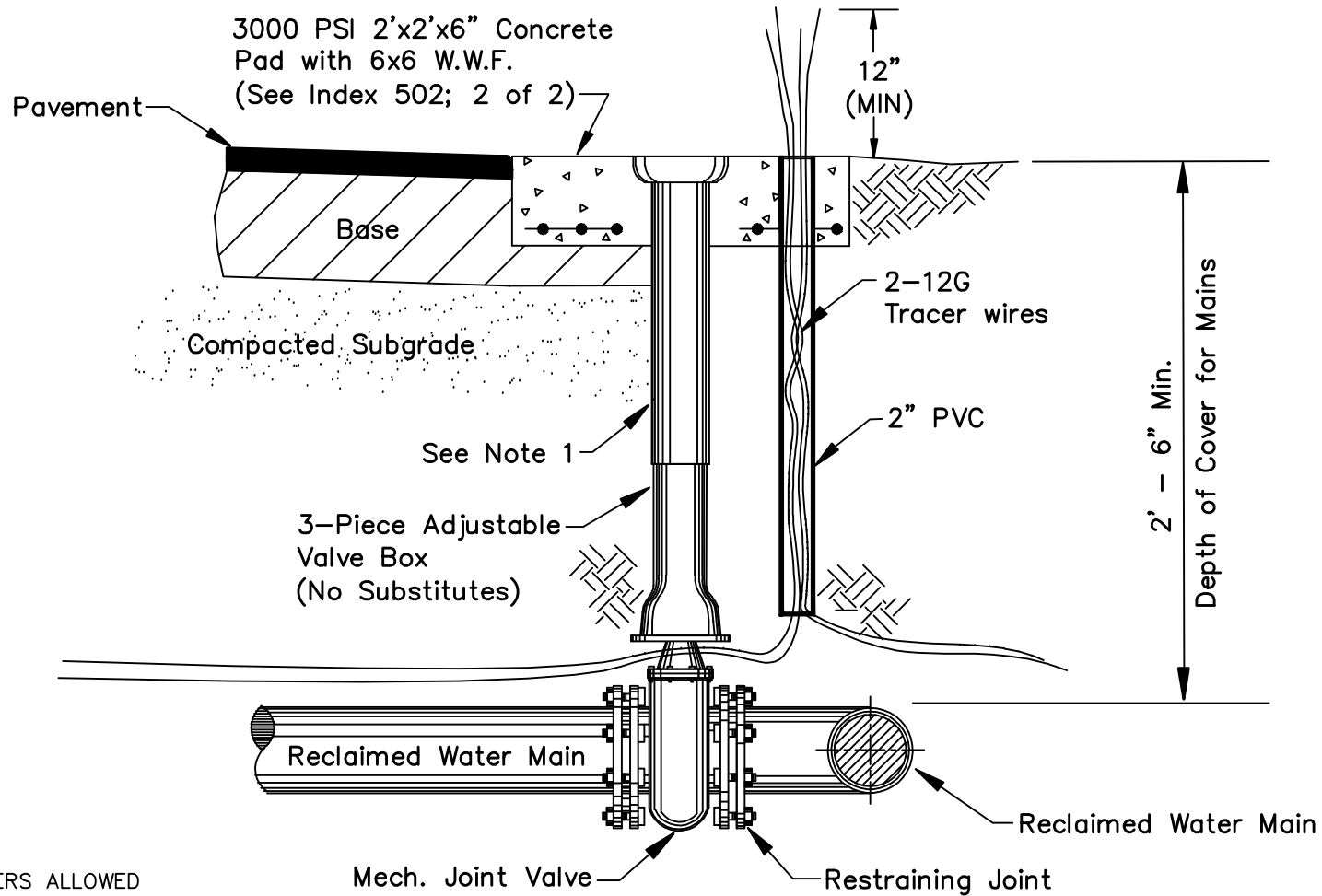


**NOTES:**

1. SADDLES ARE REQUIRED TO ALL SERVICE CONNECTIONS TO MAIN.
2. IRON SERVICE SADDLE SHALL BE FORD FC 202 SERIES WITH STAINLESS STEEL BAND AND EPOXY COATED DUCTILE IRON BODY, OR APPROVED EQUAL.
3. TAPS SHOULD BE MADE ON A 45° ANGLE FROM TOP OF PIPE. FOR COVER 12" OR LESS, TAP SHALL BE MADE ON A 90° ANGLE FROM TOP OF PIPE.
4. FOR ALL OTHER TAPS THAT CAN NOT BE DONE AS DESCRIBED ABOVE REFER TO POTABLE WATER MAIN SERVICE CONNECTION DETAIL, (SWING JOINT INSTALLATION).

CITY INDEX NO. 501; 2 OF 2  
N.T.S.

				CITY OF CLEARWATER, FLORIDA ENGINEERING DEPARTMENT	
				REDRAWN BY S.K.	RESIDENTIAL RECLAIMED WATER CONNECTON
⚠	8/09	CHG. CORP STOP NO.	PUB. SVC.	CHECKED BY R.F.	DATE 08/09 INDEX NO. 501
REV.	DATE	DESCRIPTION	APP.	DESIGNED BY A.B.	2 OF 2



NOTE:  
1. NO PVC RISERS ALLOWED

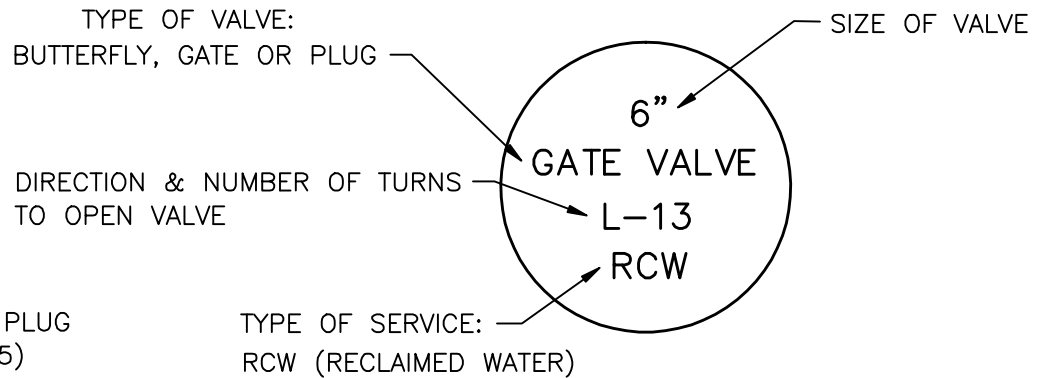
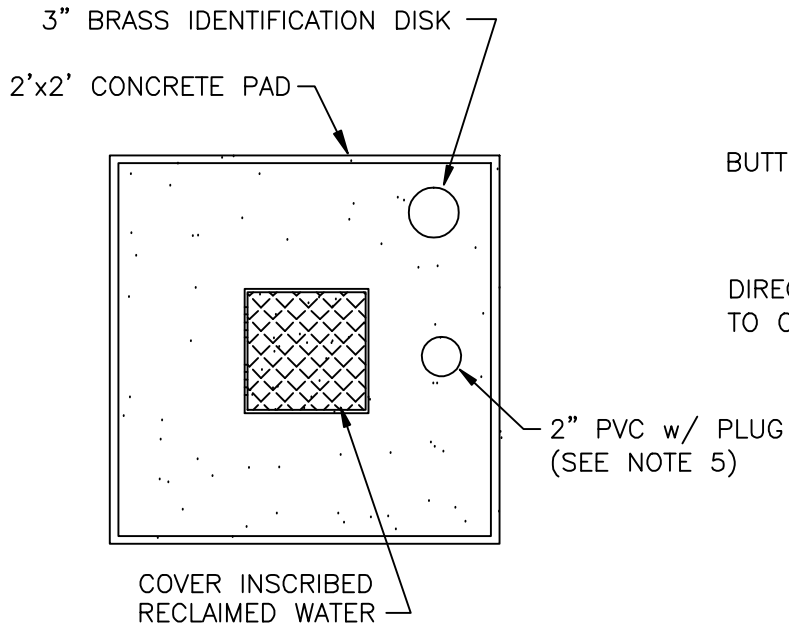
## RECLAIMED WATER TYPICAL VALVE & BOX SETTING

CITY INDEX NO. 502; 1 OF 2  
N.T.S.

CITY OF CLEARWATER, FLORIDA ENGINEERING DEPARTMENT					
				RECLAIMED WATER	DATE 02/09
				TYPICAL VALVE & BOX SETTING	INDEX NO. 502
REV.	DATE	DESCRIPTION	APP.	DESIGNED BY Pub. Util.	1 OF 2

NOTES:

1. EXTENSION ON VALVE BOX SHALL BE SET SO AS TO RESERVE 1/2 OF THE ADJUSTMENT LENGTH FOR FUTURE USE.
2. OPERATING NUT SHALL BE SET SO AS TO BE WITHIN 12" TO 18" OF GRADE.
3. INSTALL 3" BRASS IDENTIFICATION DISK IN CONCRETE.
4. INSTALL 2" PVC WITH PLUG FOR TRACER WIRE STORAGE.
5. LOCATOR WIRE ACCESS – 2" (WHITE OR GRAY) SCHEDULE 80 PVC, BRASS FEMALE ADAPTOR COUPLING AND 2" BRASS PLUG W/ RECESS NUT. TERMINATE INSULATED, SOLID 12 GAUGE COPPER TRACER WIRE AT TOP W/ A MINIMUM 12" OF EXTRA WIRE.
6. RECLAIMED WATER VALVE BOX LID OPENINGS ARE TO BE 6" X 6" SQUARE.

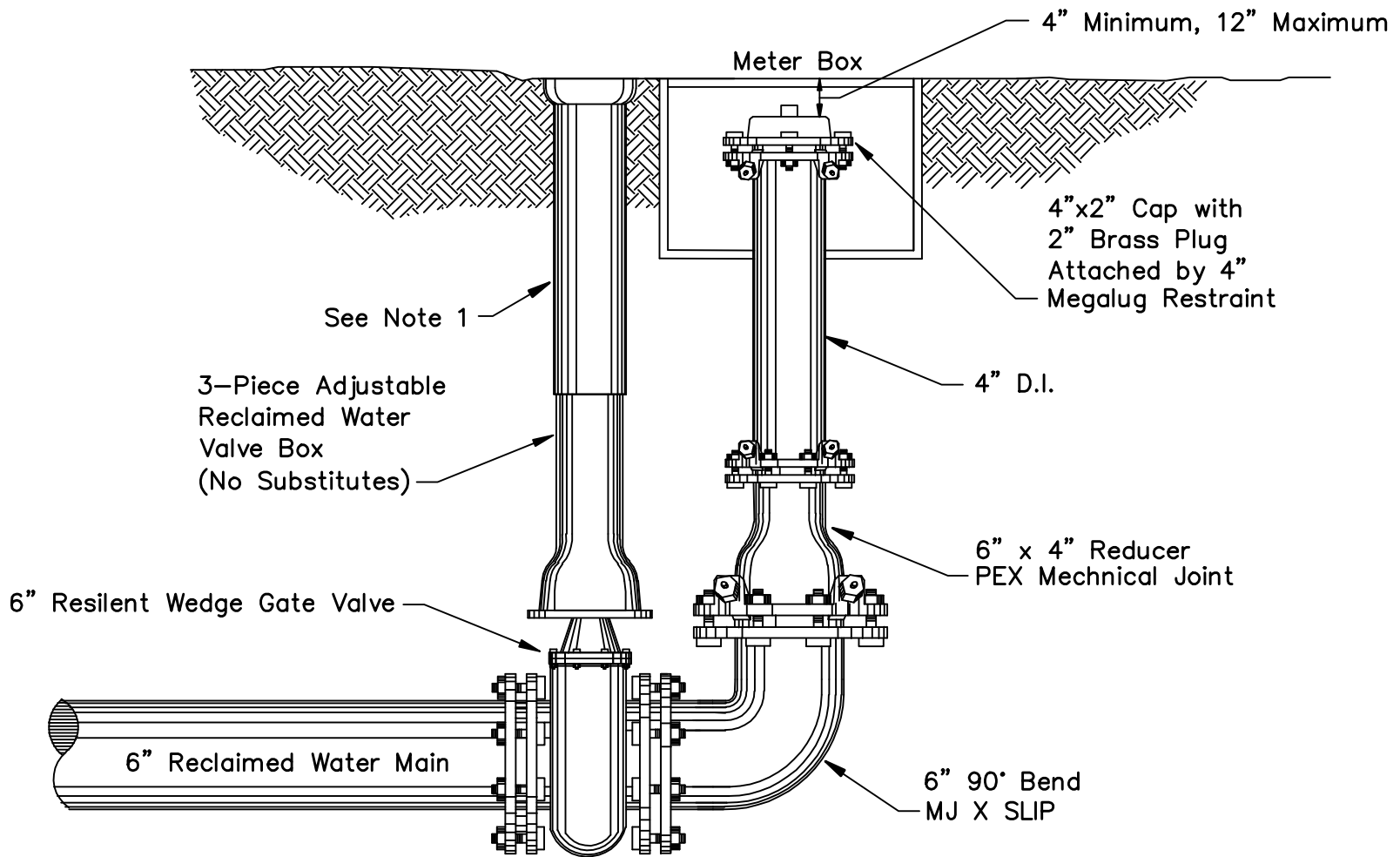


**3" BRASS IDENTIFICATION DISK**

**RECLAIMED WATER VALVE BOX  
CONCRETE PAD PLAN VIEW**

CITY INDEX NO. 502; 2 OF 2  
N.T.S.

				CITY OF CLEARWATER, FLORIDA ENGINEERING DEPARTMENT		
				REDRAWN BY D.King	RECLAIMED WATER	DATE 02/09
				CHECKED BY RAM	VALVE BOX	INDEX NO. 502
				DESIGNED BY Pub. Util.	CONCRETE PAD	
REV.	DATE	DESCRIPTION	APP.		PLAN VIEW	2 OF 2

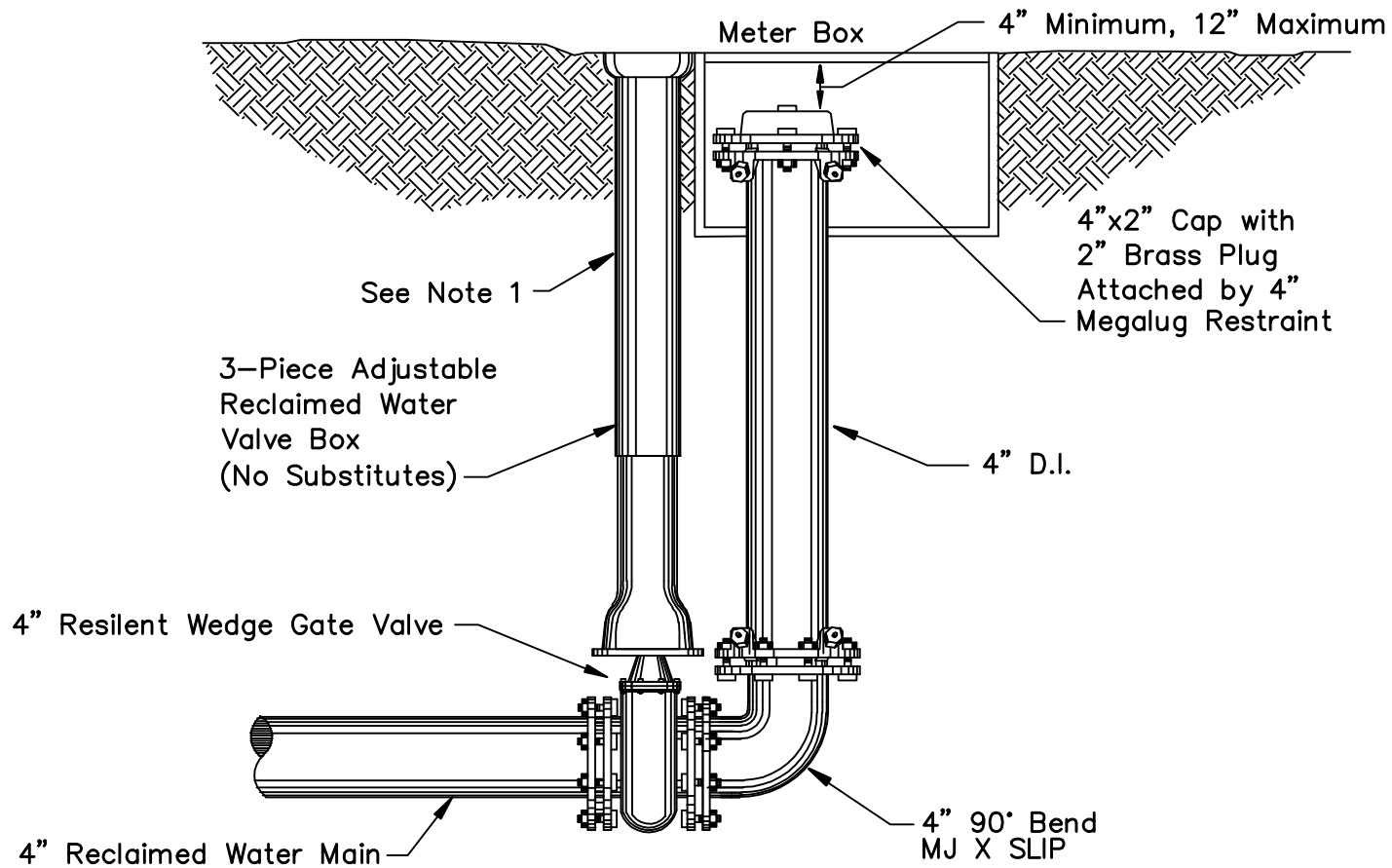


## RECLAIMED 6" BLOWOFF DETAIL

CITY INDEX NO. 503; 1 OF 2  
N.T.S.

NOTE:  
1. NO PVC RISERS ALLOWED

				CITY OF CLEARWATER, FLORIDA ENGINEERING DEPARTMENT		
				REDRAWN BY B.V.D.	RECLAIMED	DATE 02/09
				CHECKED BY G.C.H.	6" BLOWOFF DETAIL	INDEX NO. 503
REV.	DATE	DESCRIPTION	APP.	DESIGNED BY A.S.B.		1 OF 2

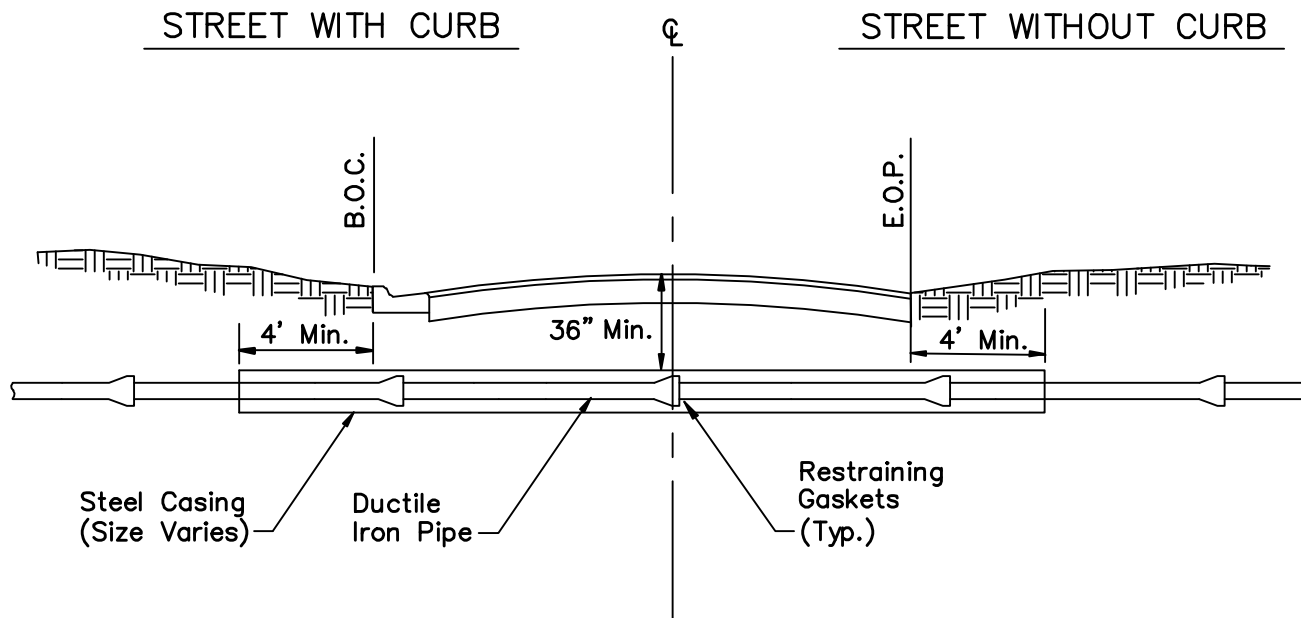


## RECLAIMED 4" BLOWOFF DETAIL

CITY INDEX NO. 503; 2 OF 2  
N.T.S.

NOTE:  
1. NO PVC RISERS ALLOWED

				CITY OF CLEARWATER, FLORIDA ENGINEERING DEPARTMENT		
				REDRAWN BY B.V.D.	RECLAIMED	DATE 02/09
				CHECKED BY G.C.H.	4" BLOWOFF DETAIL	INDEX NO. 503
REV.	DATE	DESCRIPTION	APP.	DESIGNED BY A.S.B.		2 OF 2



**NOTES:**

1. ALL PIPE THRU CASING TO BE DUCTILE IRON.
2. ALL PIPES WITHIN CASING TO BE RESTRAINED BY RESTRAINING GASKETS.
3. CASING PIPE TO MEET F.D.O.T. STANDARDS.
4. APPROVED CASING SPACERS MUST BE INSTALLED TO KEEP PIPE CENTERED IN CASING.
5. ENDS OF CASING MUST BE PLUGGED WITH BRICKS OR CEMENT TO PREVENT INFILTRATION OF SOIL OR BY ENGINEER'S APPROVED METHOD.

## RECLAIMED WATER JACK AND BORE

CITY INDEX NO. 504; 1 OF 1  
N.T.S.

				CITY OF CLEARWATER, FLORIDA ENGINEERING DEPARTMENT		
				REDRAWN BY B.V.D.	RECLAIMED WATER	DATE 02/09
				CHECKED BY G.C.H.	JACK AND BORE	INDEX NO. 504
REV.	DATE	DESCRIPTION	APP.	DESIGNED BY G.C.H.		1 OF 1